

SAVE THESE INSTRUCTIONS and refer to them when making any additions or changes to the track configuration.

IMPORTANT SAFETY INSTRUCTIONS

1. Read all instructions prior to installing this product.
2. Disconnect electrical power before adding to or changing the configuration of the track.
3. Do not install this track in damp or wet locations.
4. Do not install any part of track system less than 5 feet above floor.
5. Do not attempt to energize anything other than lighting fixtures and fittings intended for use on MonoLine track.

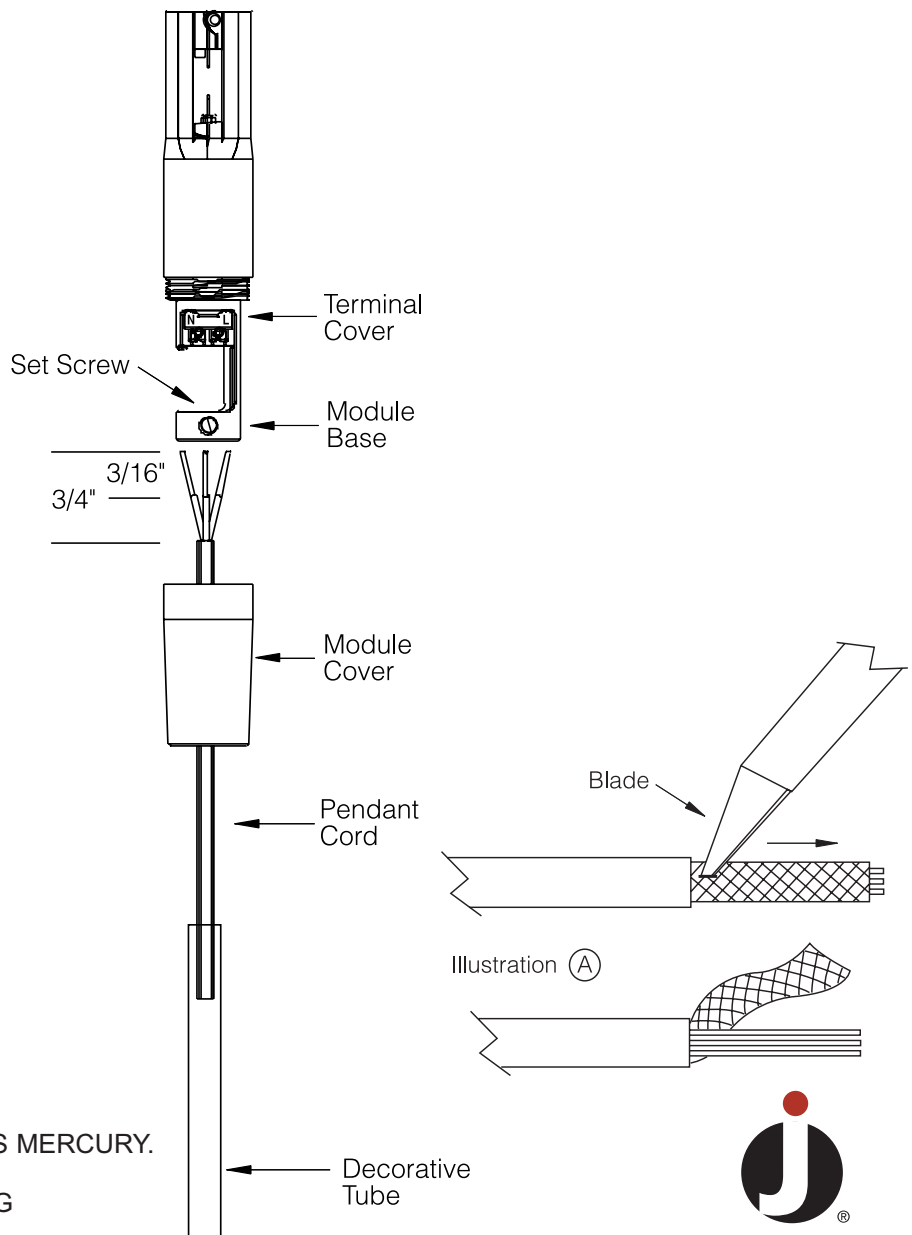
MONOLINE PENDANTS

To Shorten and Install Cord:

- ① Cut pendant cord to desired length plus 1" extra for electrical connection.
- ② Strip off 1" of the plastic outer cord casing and braided sheath.
TIP: To cut braided sheath, cut parallel along/between inner wires. Then snip remainder off with diagonal cutters.
Illustration A.
- ③ Strip the pendant cord wires 3/16". Make sure none of the braided sheath can contact the exposed wires.
- ④ Unscrew the module cover from the adapter stem.
- ⑤ Note the markings "N" and "L" on the terminal cover.
- ⑥ Raise the terminal cover and loosen three set screws.
- ⑦ Route pendant cord through the module cover and module base as shown.
- ⑧ Insert the white wire into the terminal block marked "N", the black wire into the one marked "L" and the green wire into the block on the other side. Tighten the terminal block set screws snugly.
- ⑨ Tighten the nylon set screw at the bottom of the module base to hold the cord. Make sure the set screw seats against the outer sleeve of the cord.
- ⑩ Lower the terminal cover over the terminal blocks.
- ⑪ Screw the module cover back in place.

NOTE: If your pendant comes with a decorative tube, place it over the cord before wiring.

Hg MARK MEANS LAMP CONTAINS MERCURY.
FOLLOW DISPOSAL LAWS.
SEE WWW.LAMPRECYCLE.ORG





Recessed and Trac Lighting

INSTALLATION INSTRUCTIONS

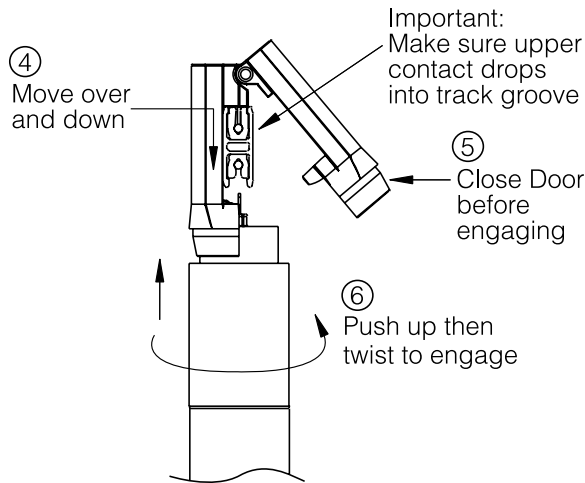
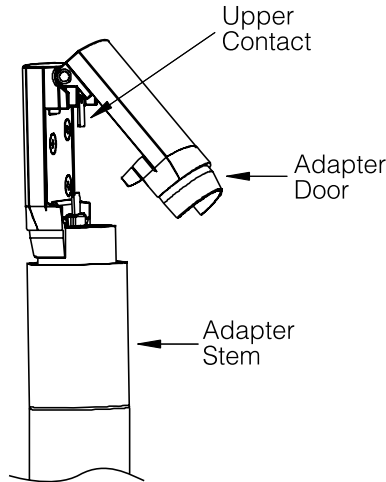
MonoLine® Pendants

SAVE THESE INSTRUCTIONS and refer to them when making any additions or changes to the track configuration.

To Install Pendant:

- ① Make sure main power to system is OFF. "Hot Lamping" is not recommended.
- ② Loosen adapter stem until adapter door can be opened.
- ③ Note that the track has a wide groove on the bottom. The adapter has a feature which fits into this groove to prevent mounting it upside down.
- ④ Carefully mount adapter by moving it horizontally to track and lowering it vertically until upper contact drops into top groove of track. Keep adapter vertical at all times while installing.
- ⑤ Close adapter door completely. Hold door closed.
- ⑥ Push up and twist adapter stem/module cover assembly until threads engage.
- ⑦ Continue twisting adapter stem/module cover assembly until fully raised.

NOTE: Adapter stem and module cover go up and down as one unit.



WARRANTY

Juno Lighting Group warrants that its products are free from defects in material and workmanship for one year from date of purchase, two years from date of purchase for Energy Star® rated fixtures. Juno Lighting Group's obligation is expressly limited to repair or replacement, without charge, at Juno Lighting Group's factory after prior written return authorization has been granted. This warranty shall not apply to products which have been altered or repaired outside of Juno Lighting Group's factory. This warranty is in lieu of all other warranties, expressed or implied, and without limiting the generality of the foregoing phrase, excludes any implied warranty of merchantability. Also, there are no warranties which extend beyond the description of the product on the company's literature setting forth terms of sale.

1300 South Wolf Road • Des Plaines, IL 60018
PHONE (847) 827-9880 • FAX (847) 827-2925 • www.junolightinggroup.com



JUNO LIGHTING GROUP
by Schneider Electric